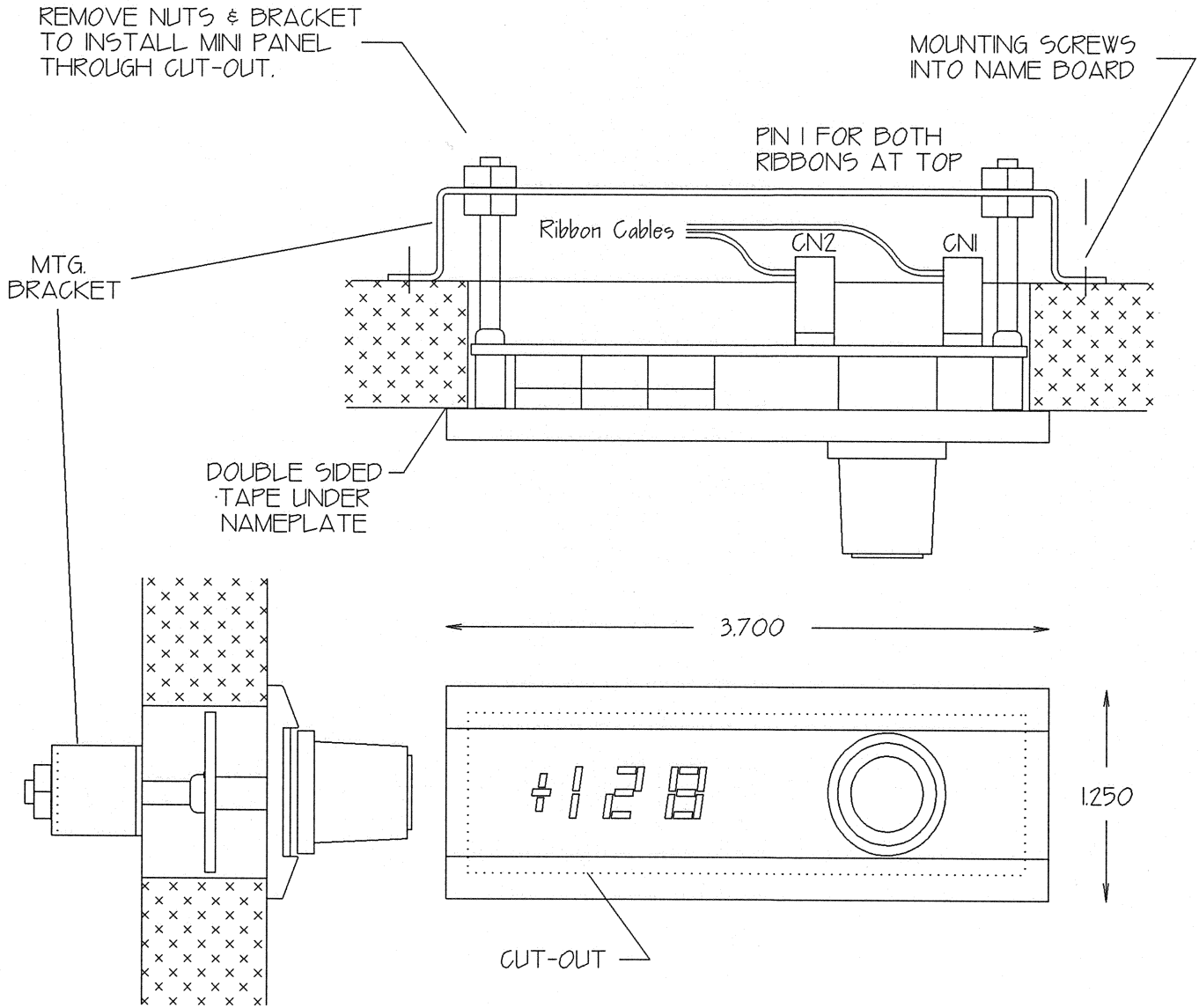


# FIGURE 2



## CUT-OUT DIMENSIONS

